

LOWER TREADMILL COMPONENTS
SEE PAGES 2 THRU 5

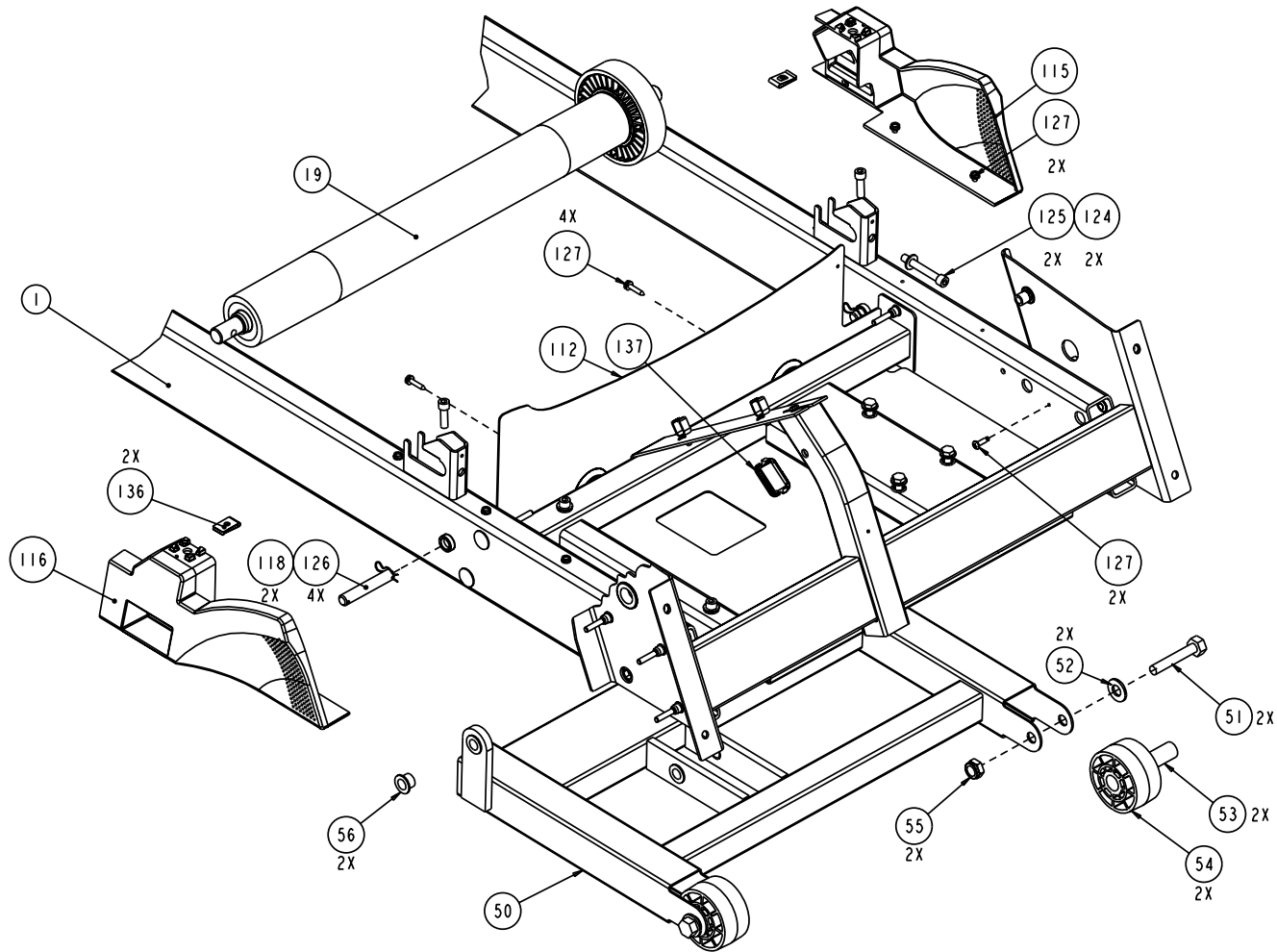
DISPLAY/CONSOLE COMPONENTS
SEE PAGE 6

TARGAS AND HANDRAILS
SEE PAGE 7

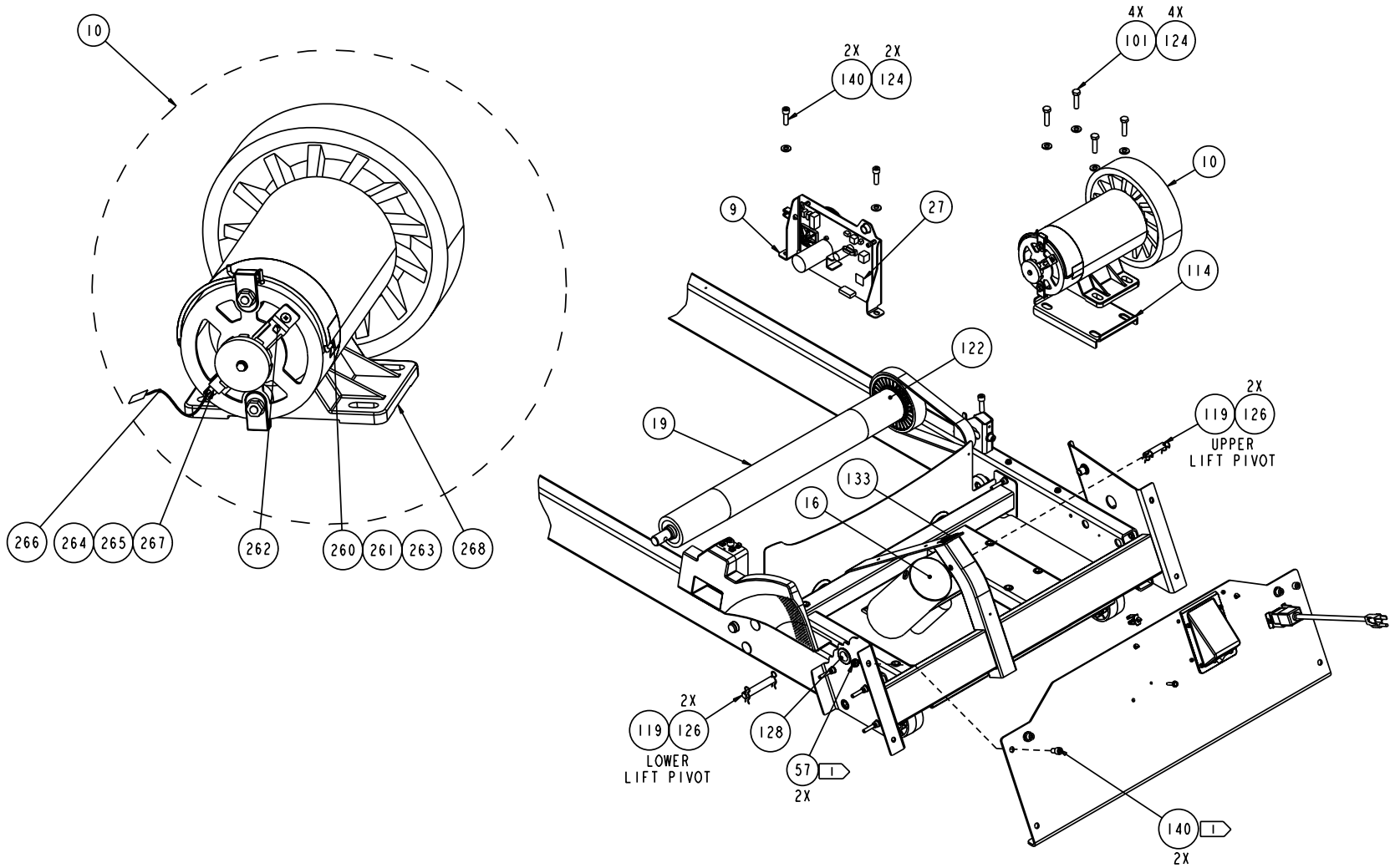
NOTES:

 FOR SHIPPING ONLY.

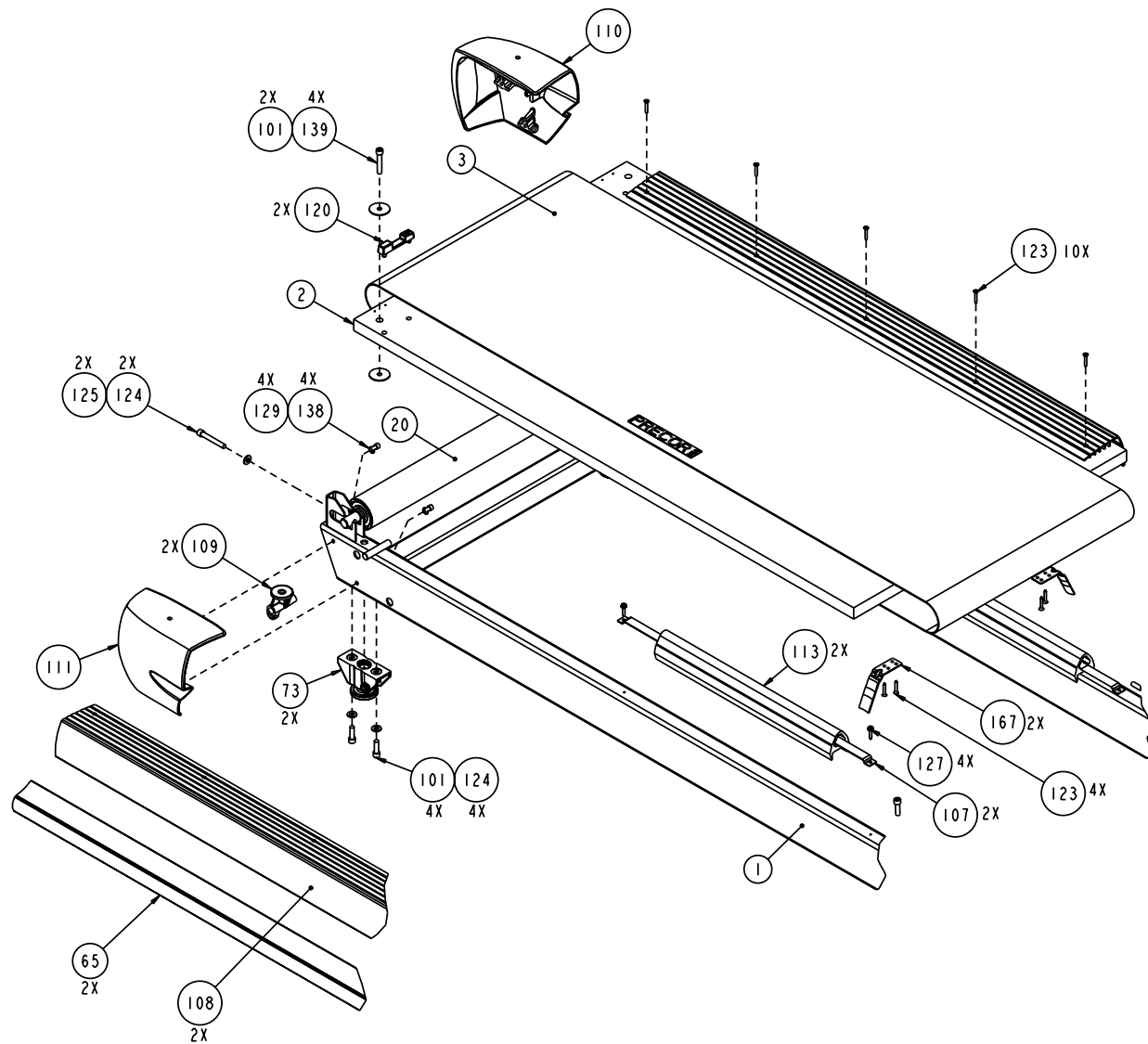
M9.35	P/N 48125-102	REV: J02
DRAWN BY: GRANADOSIN	DATE: 12.09.05	SHEET 1 OF 7



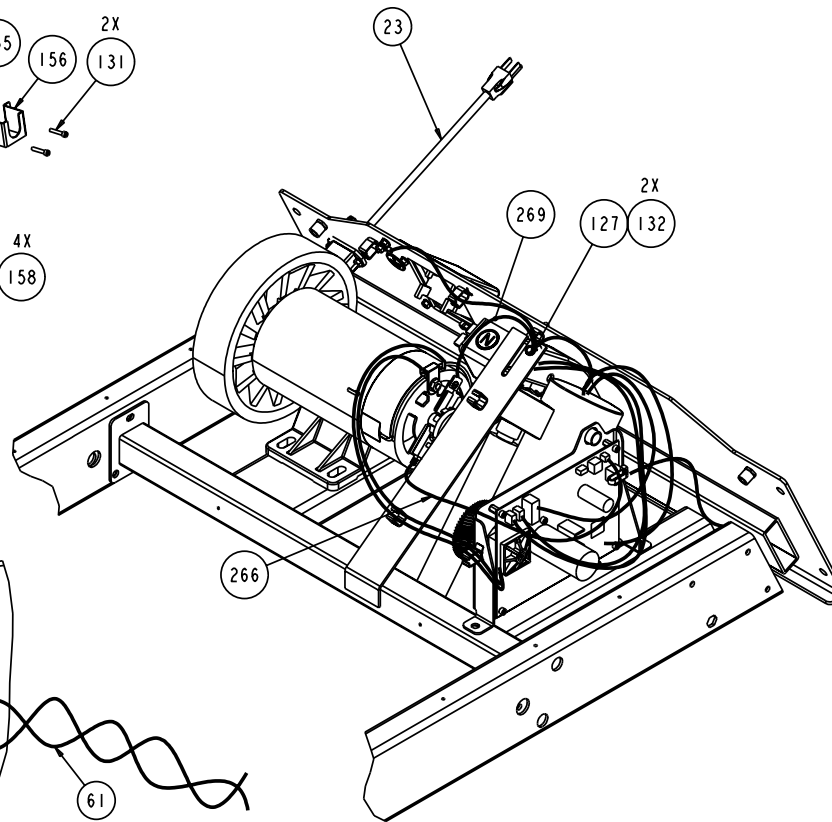
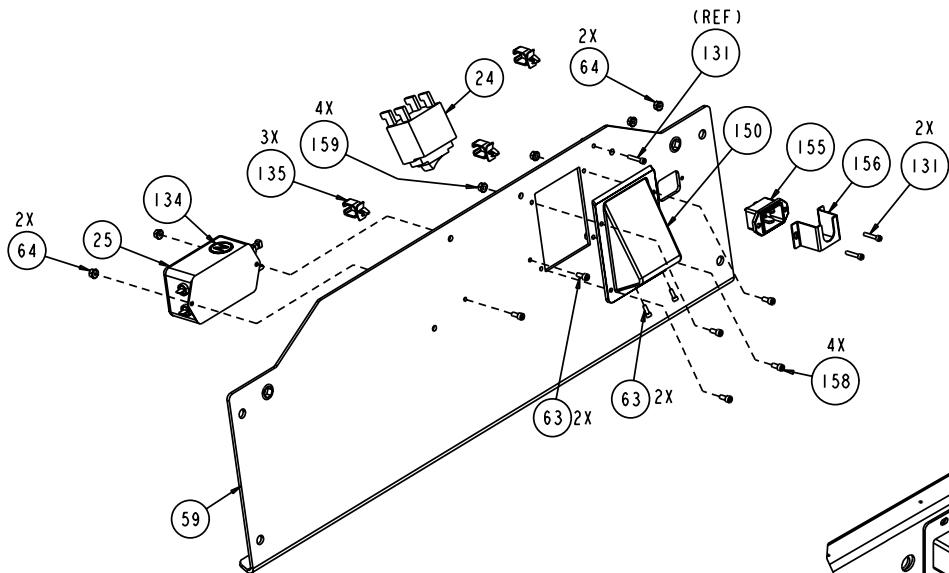
M9.35	P/N 48125-102	REV: J02
DRAWN BY: GRANADOSIN	DATE: 12.09.05	SHEET 2 OF 7



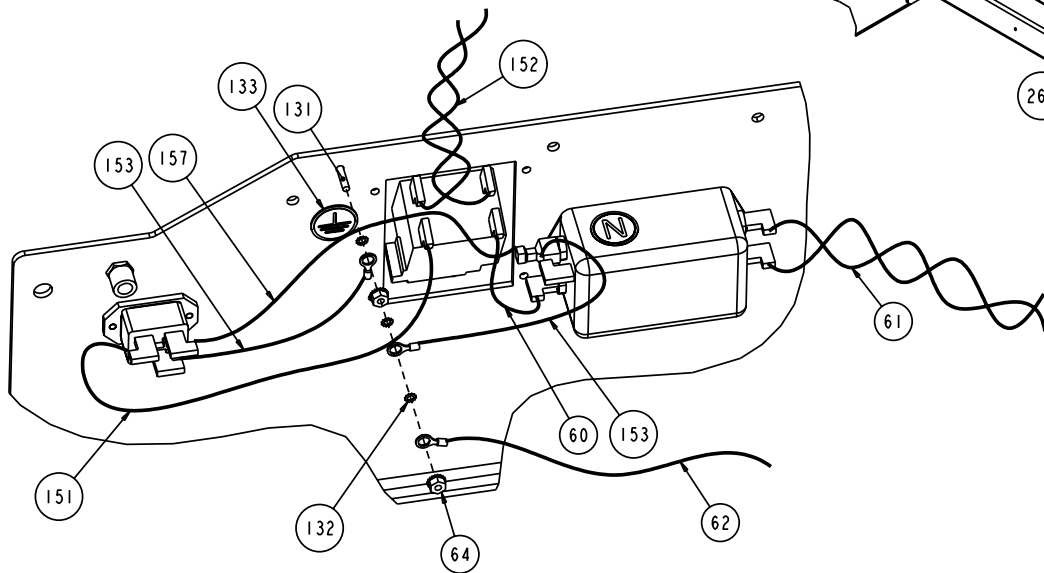
M9.35	P/N 48125-102	REV: J02
DRAWN BY: GRANADOSIN	DATE: 12.09.05	SHEET 3 OF 7



M9.35	P/N 48125-102	REV: J02
DRAWN BY: GRANADOSIN	DATE: 12.09.05	SHEET 4 OF 7

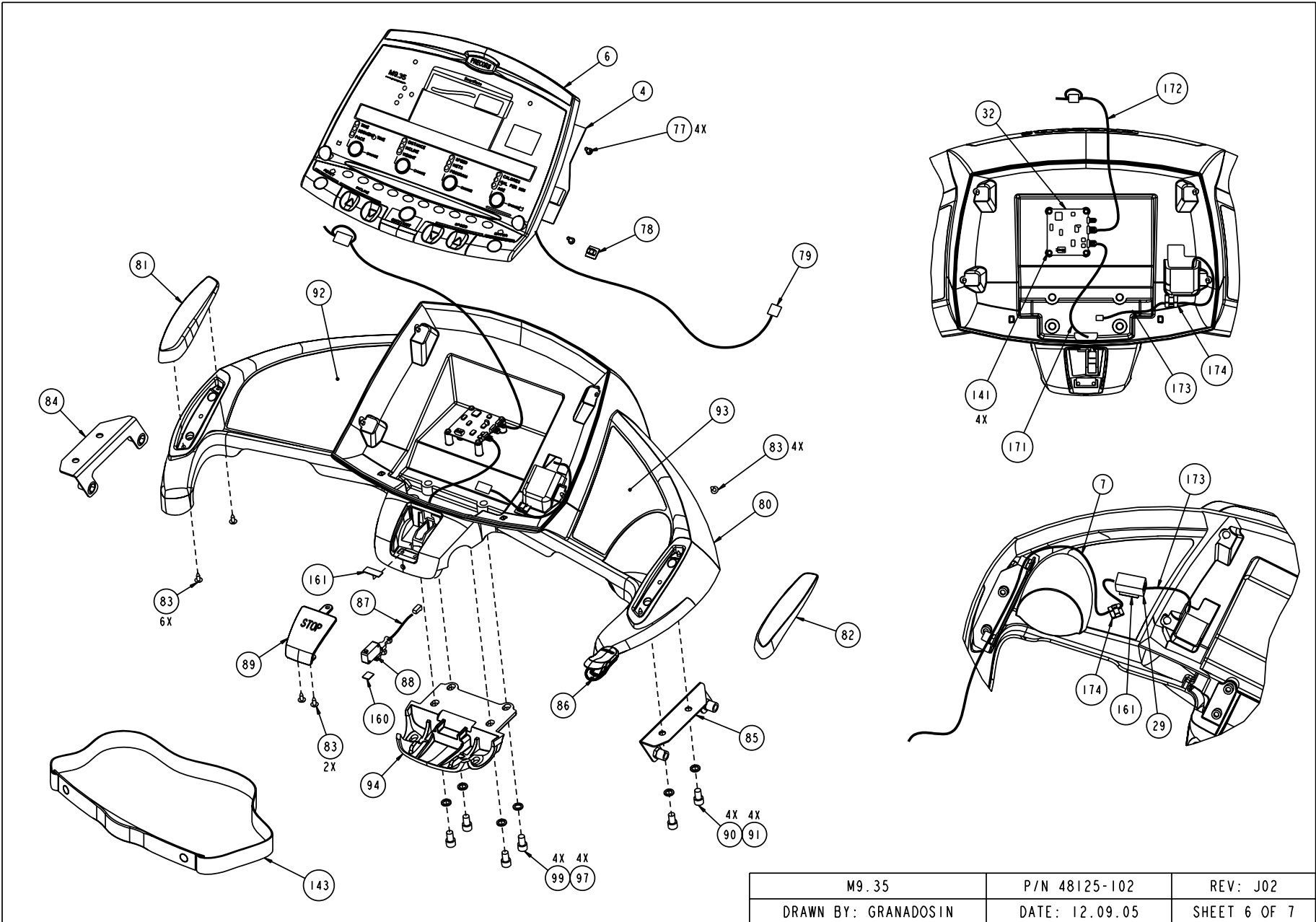


120 V

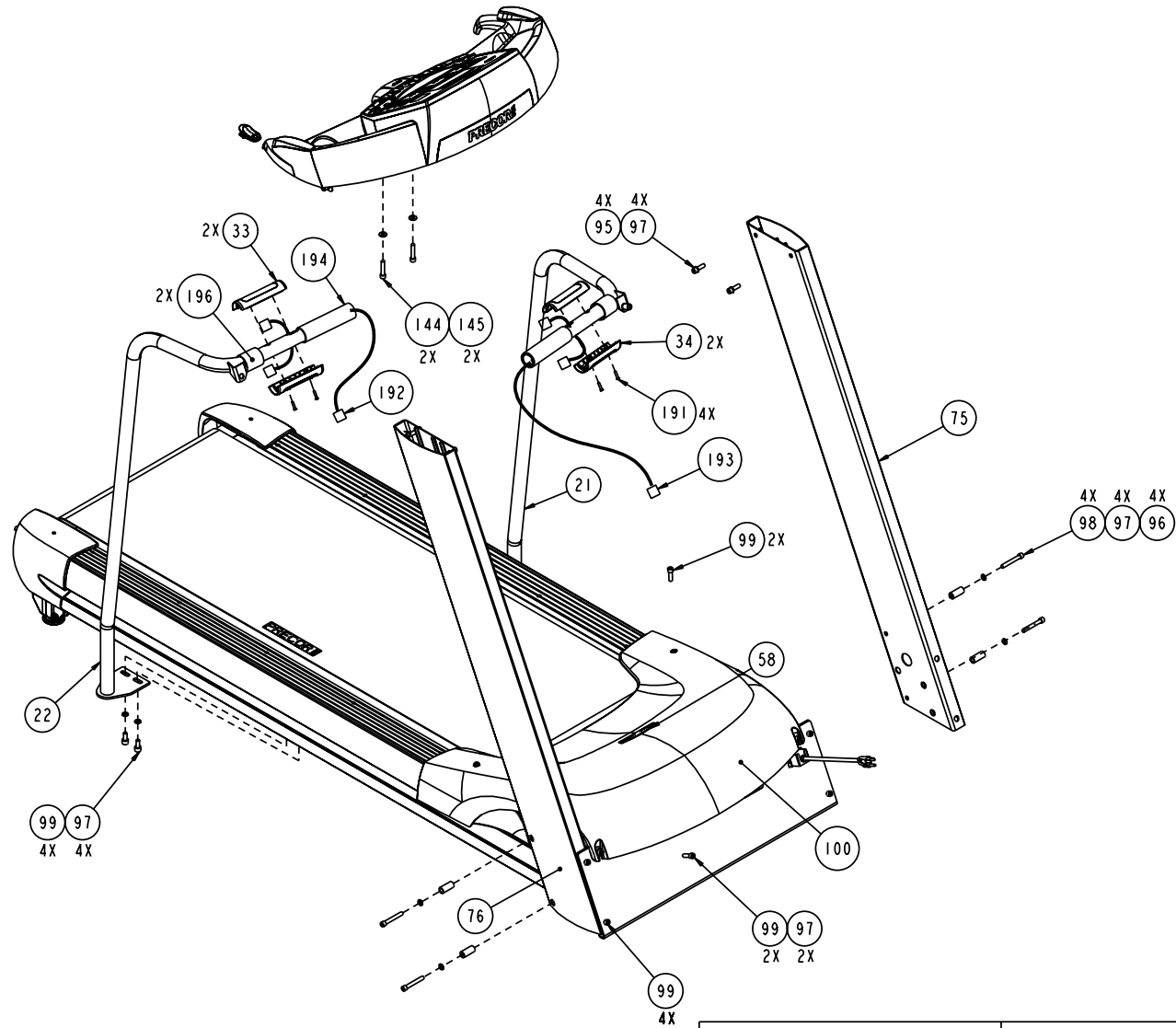


WIRING DETAIL
SOME DETAIL REMOVED FOR CLARITY

M9.35	P/N 48125-102	REV: J02
DRAWN BY: GRANADOSIN	DATE: 12.09.05	SHEET 5 OF 7



M9.35	P/N 48125-102	REV: J02
DRAWN BY: GRANADOSIN	DATE: 12.09.05	SHEET 6 OF 7



M9.35	P/N 48125-102	REV: J02
DRAWN BY: GRANADOSIN	DATE: 12.09.05	SHEET 7 OF 7

9.35 (serial code A996, AMPN)

Part Number	Description	Bubble Number
48025-101	ASSEMBLY, MAIN FRAME, STONE GRAY	1
59093-101	DECK WITH SHIPPER KIT	2
36355-123	RUNNING BELT, SIEGLING, 120 X 20	3
47771-102	ASSY, UPPER PCA & SW, 9.35-T2	4
48056-101	ASSY, DISPLAY, TOUCHSENSOR, M9.35 L	6
44905-084	ASSY,CBL,MOD,8P8C,1-1,84"	7
45693-102	9.3X LOWER PCA W/O SOFTWARE	9
45924-104	ASSY, BRACKET & LOWER ELECTRONICS,	9.01
48860-101	DRIVE MOTOR ASSEMBLY, MCMILLAN	10
12095-101	SWITCH, DIGITAL	11
44064-103	LIFT ACTUATOR, 120V	16
47101-101	ASSEMBLY, DRIVE ROLLER, STEEL	19
47325-101	ASSY, TAKE-UP ROLLER, ALUMINUM, FLA	20
46991-105	WELDMENT, HANDRAIL, LEFT, PAINTED	21
47010-105	ASSY, HANDRAIL, HHR, LEFT	21
46991-106	WELDMENT, HANDRAIL, RIGHT, PAINTED	22
47010-106	ASSY, HANDRAIL, HHR, RIGHT	22
45657-144	PWR CORD,125VAC,15A,NEMA 5-15RA/IEC	23
10435-101	CKT BRKR,250V,MAGNETIC,ROCKER,	24
11224-102	FILTER,PWR LINE,250VAC,16A	25
44569-301	IC,CPU,PGMD,9.3X,LWR,T2/T3/ TD,V3.0	27
44569-302	IC, CPU, PGMD, 9.3X, LOWER, V3.02,	27
11415-101	COUPLER,MOD,8P8C,INLINE	29
43579-106	BOARD, CHR & WIRELESS/CONTACT PRIOR	32
42713-102	HHR SENSOR, TOP	33
42714-102	HHR SENSOR, BOTTOM	34
45904-101	LIFT PLATFORM, W/BUSHINGS, 9.3X, C9	50
HCKN050-250	SCREW,HEX,GR 5,1/2-13X2-1/2,BLK ZN	51
WBCN050-010	WASHER, FLT, 1/2, ID=.531,	52
36192-101	BUSHING, SPANNER	53
44270-101	WHEEL, LIFT	54
KACN050-019	LOCKNUT,HALF,1/2-13,ZN	55
10043-113	BEARING,FLANGE,OD=.62 ID=.5	56
KMCN031-023	NUT, HEX, 5/16-18, ZINC	57
47970-101	LABEL, GROUND EFFECTS, STONE GRAY	58
45667-101	9.3X, C936I FACEPLATE W/RIVNUTS	59
45667-102	9.3X, C936I FACEPLATE W/RIVNUTS, ST	59
44528-006	ASSY,CBL,1 COND,14AWG,QK DISC,6",BR	60
45268-030	ASSY,CBL,2COND,14AWG,QK DISC FLAG,3	61
45268-030	ASSY,CBL,2COND,14AWG,QK DISC FLAG,3	61.01
45296-030	ASSY,CBL 2COND,14AWG,QK DISC 2FLAG-	61.01
45268-030	ASSY,CBL,2COND,14AWG,QK DISC FLAG,3	61.02
45296-030	ASSY,CBL 2COND,14AWG,QK DISC 2FLAG-	61.02
45145-016	ASSY.CBL,14AWG,RING/RING,GRN/YEL,16	62
CCNN013-038	SCREW, SKHD,6-32X3/8,SS,LK	63
KGCN013-011	LOCKNUT, STARWASHER 6-32, #6	64
44083-102	COVER, SIDERAIL	65
41734-103	BRACKET, VANE SWITCH, MOUNTING	67
WAMCN019-002	WASHER, LOCK, EXT TOOTH, #10	68
CBKN019-038	SCREW,SKHD,10-32X.3/8,BLK ZN	69

CAKN011-025	SCREW, SKHD, #4-40X1/4, BLK ZN,LK	70
44019-105	ASSEMBLY, REAR FOOT, M9.3X	73
44017-101	ASSEMBLY, TARGA, LEFT	75
44017-102	ASSEMBLY, TARGA, RIGHT	76
MGCN016-038	SCREW,MCH,8-32X3/8,PANHD,PHIL,	77
12264-101	RJ-45 TELEPHONE JACK PLUG	78
45696-032	ASSY,CBL,FFC,12COND,28AWG,3.2"	79
44065-103	DASH, STONE GREY	80
44105-103	HAND GRIP, CONSOLE, LEFT, STONE GRA	81
44105-104	HAND GRIP, CONSOLE, RIGHT, STONE GR	82
PGKN016-050	SCREW,S/T,#8X1/2,TRS,PHIL,BLK	83
44026-103	ASSY, MOUNTING BRACKET, LEFT, STONE	84
44026-104	ASSY, MOUNTING BRACKET, RIGHT, STON	85
44021-102	CLIP ASSEMBLY	86
45283-011	ASSY,CBL,UPPER SAFETY SWITCH,11"	87
12259-102	SWITCH,MICRO,PLUNGER,SPNC	88
44086-102	STOP BUTTON	89
CAKN031-050	SCREW,SKHD,5/16-18X0.50,BLK ZN,LK	90
WBKN031-007	WASHER, FLT, 5/16, ID=.344,	91
47977-101	LABEL, DASH, LEFT, M9.35, STONE GRE	92
47978-102	LABEL, DASH, RIGHT, M9.35, STONE GR	93
44112-103	BRACKET, HANDRAIL CLAMP, STONE GRAY	94
CCNE031-100	SCREW,SKHD,5/16-18X1.00,SS,LK	95
44060-102	SPACER, TARGA BOLT, 1.360L	96
WPNN033-005	WASHER,FLT,5/16X.562X.060,AN960C	97
CCNN031-225	SCREW,SKHD,5/16-18X2.5,BLK ZN,LK	98
CCNE031-075	SCREW,SKHD,5/16-18X.75,SS,LK	99
45451-102	ASSEMBLY, HOOD W/ WIRING DIAGRAM, S	100
CAKN031-175	SCREW,SKHD,5/16-18X1.75,BLK ZN,LK	101
41601-101	FAN,MOTOR,120V	102
44087-101	BRACKET, FAN	103
MNCE016-050	SCREW, MCH, 8-32X1/2, FLTHD, PHIL	104
MGCE013-175	SCREW, MCH, 6-32X1-3/4, PANHD,NYLP	105
44544-018	ASSY,CBL,2 COND,18AWG,QK DISC,18"	106
44074-103	STRAP, GFX TIE DOWN	107
44082-104	TRIM, BED, STONE GRAY	108
44071-104	BRACKET, DECK MOUNT	109
46882-103	ASSY, ENDCAP, LEFT, PT, STONE GRAY	110
46882-104	ASSY, ENDCAP, RIGHT, PT, STONE GRAY	111
44089-102	ENCLOSURE, LOWER	112
44092-102	CUSHION, GFX	113
44097-102	PLATE, MOTOR	114
44102-107	VENT, HOOD, LEFT, STONE GRAY	115
44102-108	VENT, HOOD, RIGHT, STONE GRAY	116
44109-103	PIN, LIFT PIVOT, 3.38	118
44109-102	PIN, LIFT PIVOT, 2.00	119
46941-101	93X ROLLER BRIDGE, LEFT, PT	120.01
44117-103	COVER, LOWER ENCLOSURE	121
10217-132	BELT, DRIVE, 280J10 POLY V, TEM	122
DCKN019-100	SCREW,WOOD #10X1, L=1.00	123
WBCN031-007	WASHER,FLT,5/16X.688X.065, ZN	124
CAKN031-225	SCREW,SKHD,5/16-18X2.25,BLK ZN,LK	125

10400-103	PIN, HITCH, .093 DIA, SILVER CAD, #	126
PKCN019-075	SCREW,S/T,#10X.75,WSHHXHD,ZN	127
10178-107	BUSHING, SNAP	128
CAKN025-050	SCREW,SKHD,1/4-20X0.50,BLK ZN,LK	129
CCNN013-075	SCREW,SKHD,6-32X.75L,SS	131
WAMCN019-002	WASHER, LOCK, EXT TOOTH, #10	132
37436-101	LABEL, CHASIS NEUTRAL	134
11278-101	CABLE CLAMP,INSERT	135
10136-107	NUT RETAINER,TINNERMAN, 5/16-18	136
45784-101	GROMMET, LIFT MOTOR MOUNT, 9.3X	137
WALCN025-006	WASHER, SPLIT LOCK, 1/4 MED,	138
WABCN031-006	WASHER, FEN, 5/16, ID=.331,	139
MGCN013-038	SCREW,MCH,6-32X3/8,PANHD,PHIL,	141
38819-102	TRANSMITTER, HEARTRATE,W/STRAP	143
CCNN031-125	SCREW, SKHD, 5/16-18 X 1.25, SS	144
WBCN031-007	WASHER,FLT,5/16X.688X.065, ZN	145
WBKN031-007	WASHER, FLT, 5/16, ID=.344,	145
44118-102	BRACKET, POWER BOX	150
44528-010	ASSY,CBL,1 COND,14AWG,QK DISC,10",B	151
44532-036	ASSY,CBL,2 COND,22AWG,MOLEX,36"	152
44534-008	ASSY,CBL,1COND,14AWG,QK DISC,8"	153
45381-101	IEC 16/20A POWER CORD INLET	155
47027-102	POWER CORD CLAMP, SHORT.	156
45383-012	ASSY,CBL,1 COND,14AWG,QK DISC,FLAG,	157
CAKE016-038	SCREW,SKHD, #8-32 X 3/8,BLK ZN,LK	158
KGCN016-013	LOCKNUT, STARWASHER 8-32, HEX	159
44170-101	VHB, SPACER, SHORT	160
44171-101	VHB, SPACER, LONG	161
42452-102	BELT TRACKER	167
47107-012	ASSY,CABLE,HHR INTERFACE,W/SHIELD,	171
44954-013	ASSY,CBL,HHR TO DISPLAY,13"	172
44905-012	ASSY,CBL,MOD,8P8C,1-1,12"	173
12262-102	WIRE CLIP,FOAM TAPE BACK	174
TCNN016-075	SCREW, BTHD, 8-32X.75,SS	191
47109-012	ASSY,CABLE,HHR RIGHT GRIP,W/SHIELD	192
47108-012	ASSY,CABLE,HHR LEFT GRIP,W/SHIELD,	193
47011-102	GRIP, DIP MOLD, PLASTISOL, 5.7 LG W	194
38048-117	GRIP,DIP MOLD,PLASTISOL, 1.850 LG	196
44135-103	HARDWARE KIT, 9.3X	200
20002-112	BRUSH, MOTOR (PAC SCI YP00521)	202
10186-111	WRENCH, ALLEN, 1/4, 3 X 10	204
11075-020	FUSE,200MA,250VAC,SLOW,RADIAL	205
11075-102	FUSE,1.00A,250VAC,SLOW,RADIAL	206
11075-105	FUSE,2.00A,250VAC,SLOW,RADIAL	207
44165-105	LABEL, WIRING DIAGRAM	209
59060-101	9.3X BELT TRACKER KIT	211
20002-114	BRUSH W/ LEAD ASSY, BLACK, MCMILLAN	260
20002-115	BRUSH W/ LEAD ASSY, RED, MCMILLAN S	261
20111-101	GROUND BRUSH ASSY, MCMILLAN S3456B3	262
20112-101	BRUSH COVER, MCMILLAN S3456B3329	263
20113-101	SENSOR, TACHOMETER, MCMILLAN	264
20114-101	INTERRUPTER, 10 TOOTH, TACHOMETER,	265

20115-101	CABLE, TACHOMETER, MCMILLAN	266
20116-101	BRACKET, TACHOMETER SENSOR, MCMILLA	267
20117-101	BASE, MOTOR, MCMILLAN	268
20118-101	GROUND WIRE, 7.5 INCH, MCMILLAN	269
59061-101	9.3X POWER CORD CLAMP KIT	290
48825-009	ASSY, CABLE, GND,RING/QK DISC, 9"	403
11277-111	RIVNUT, INSERT, LG DIA,5/16X18	900
44133-104	LITERATURE KIT, M9.35	999
48207-104	LITERATURE KIT, 9.35	999